



## **TUFFPLY SOLUTION GUIDE**

Date : October 2007

### **Introduction**

The purpose of our Tuffply Total Solution guide in having such pre-determined system is to control losses, wastage & damages onto the tuffply panels.

It allows the user to lay our tuffply panels of standard sizes onto pre-fabricated formwork elements of slabs and walls and to take off the quantities accurately and quickly without cutting or wastages.

It is **HIGHLY RECOMMENDED** to use PlasPly100 or use Tuffply with our Replaceable Edge Protectors along the edges of formwork elements as these areas tend to get damaged easily.

The guide will consist of:-

1. Tuffply Layout for Slabs
2. Tuffply Layout for Walls

Authorized distributors may request for a Autocad format of the layout plans & a Microsoft Excel version of the table sizes for data insertions.

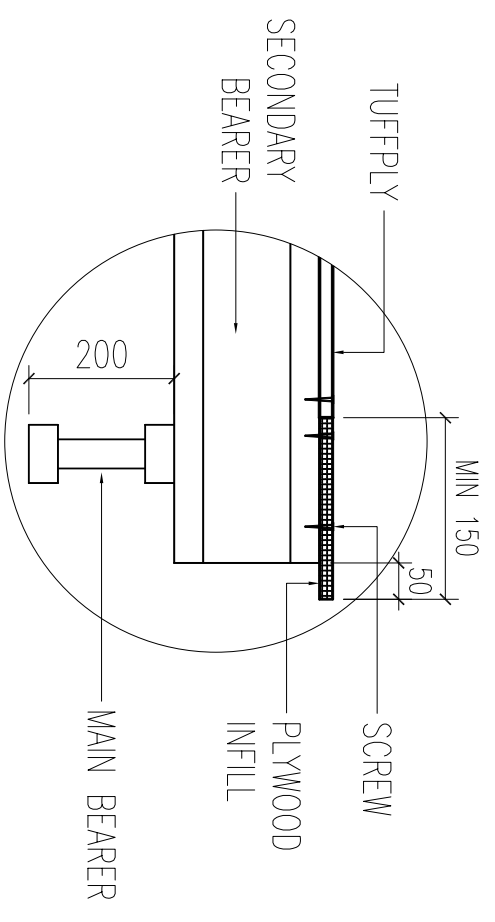
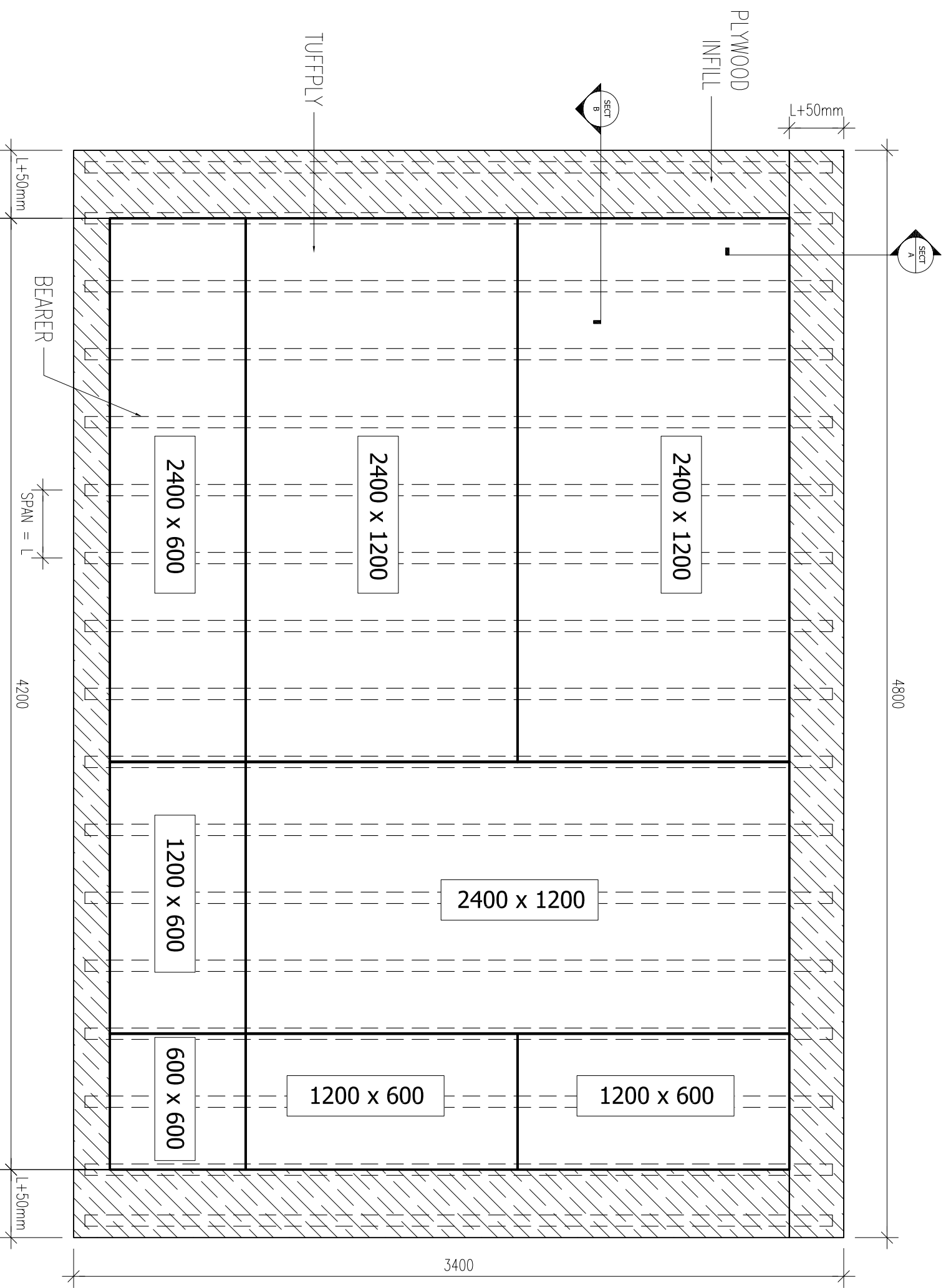
With a systematic way of using tuffply panels, the user will tend to experience a prolonged lifespan where unnecessary losses & damages can be avoided. Furthermore, a rental business model can then be made viable.



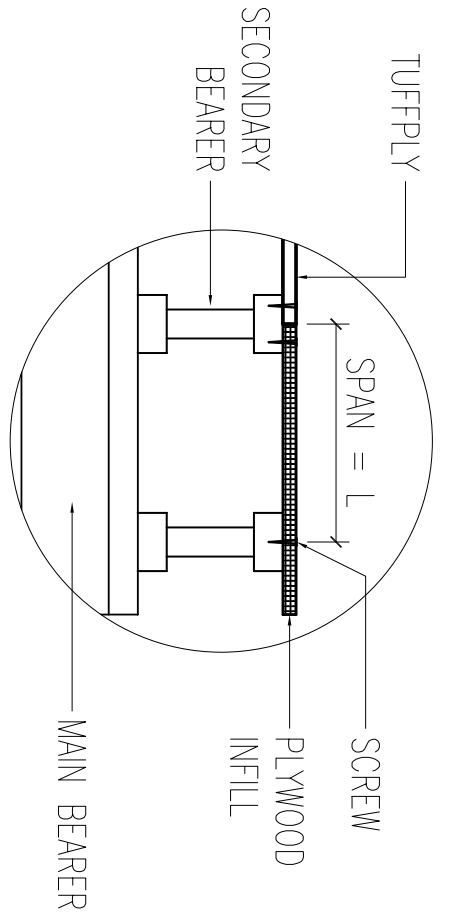
WWW.UBER-ENG.COM.SG

TUFFPLY STANDARD SIZES	
HEIGHT	WIDTH
2400	1200
2400	900
2400	600
2400	300
1200	1200
1200	900
1200	600
1200	300

PLYWOOD INFILL ARE RECOMMENDED TO PREVENT DAMAGES ON TUFFPLY EDGES



SECTION "A"



SECTION "B"

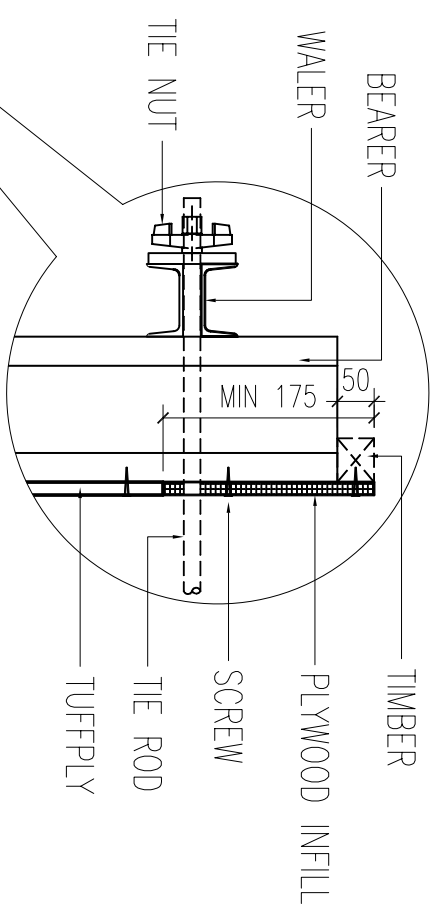
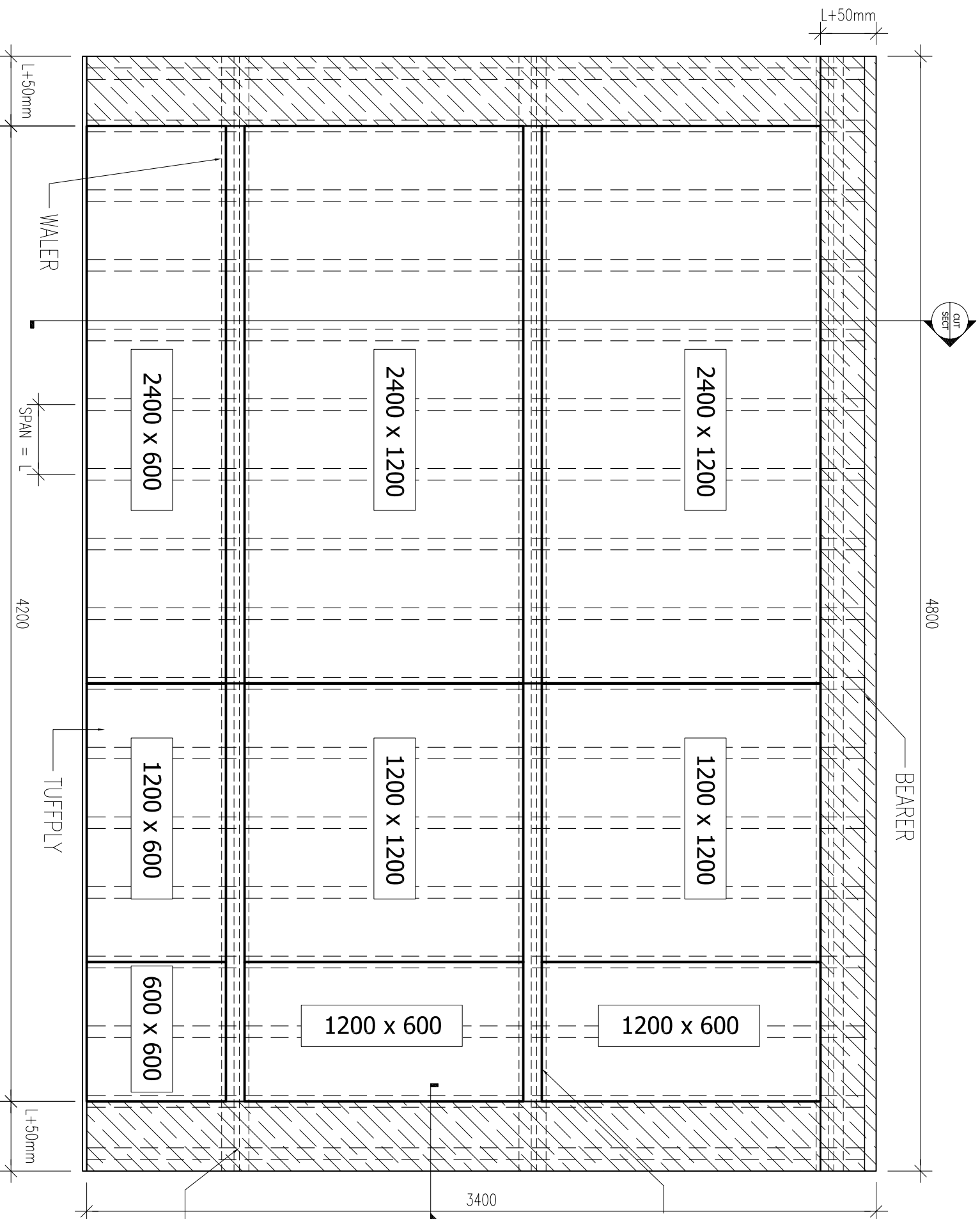
**TUFFPLY + INFILL ARRANGEMENT FOR SLAB FORMWORK**



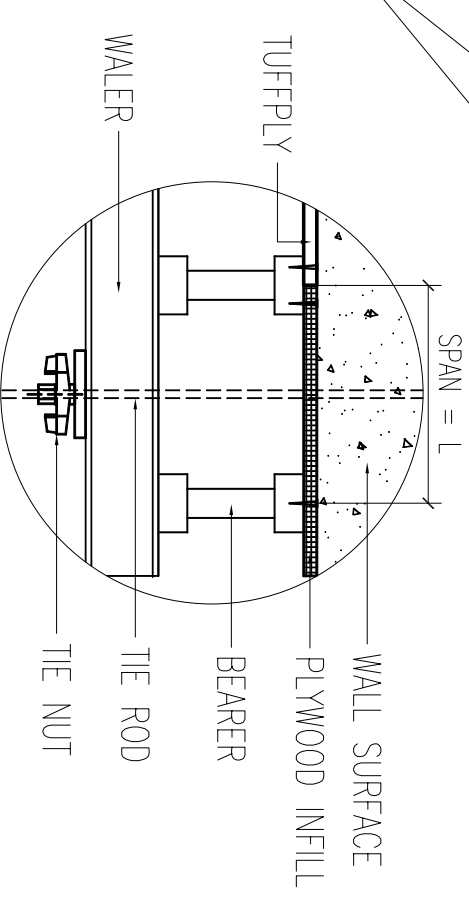
WWW.UBER-ENG.COM.SG

TUFFPLY STANDARD SIZES	
HEIGHT	WIDTH
2400	1200
2400	900
2400	600
2400	300
1200	1200
1200	900
1200	600
1200	300

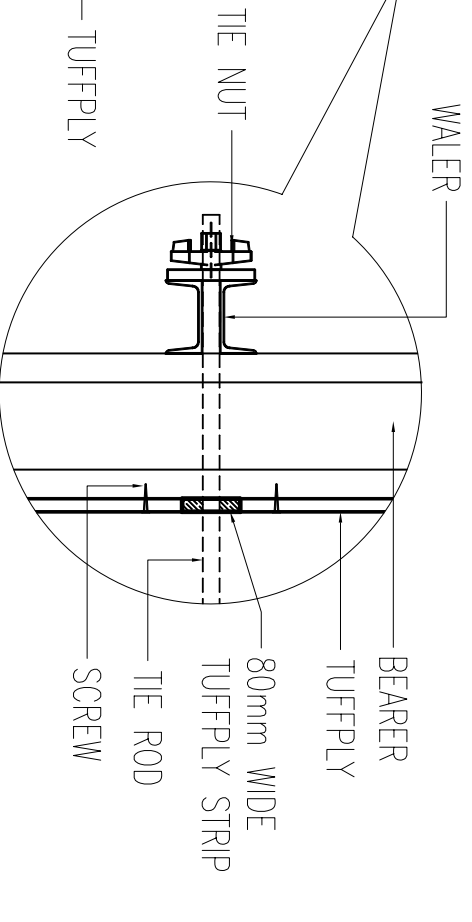
PLYWOOD INFILL ARE RECOMMENDED TO PREVENT DAMAGES ON TUFFPLY EDGES



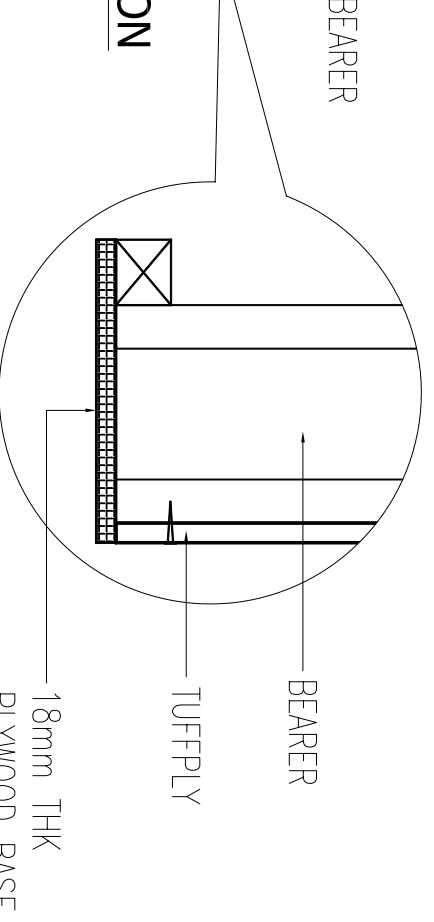
SPOT DETAIL



SECTION "A"



SPOT DETAIL



SPOT DETAIL

CUT SECTION

TUFFPLY + INFILL ARRANGEMENT FOR WALL FORMWORK